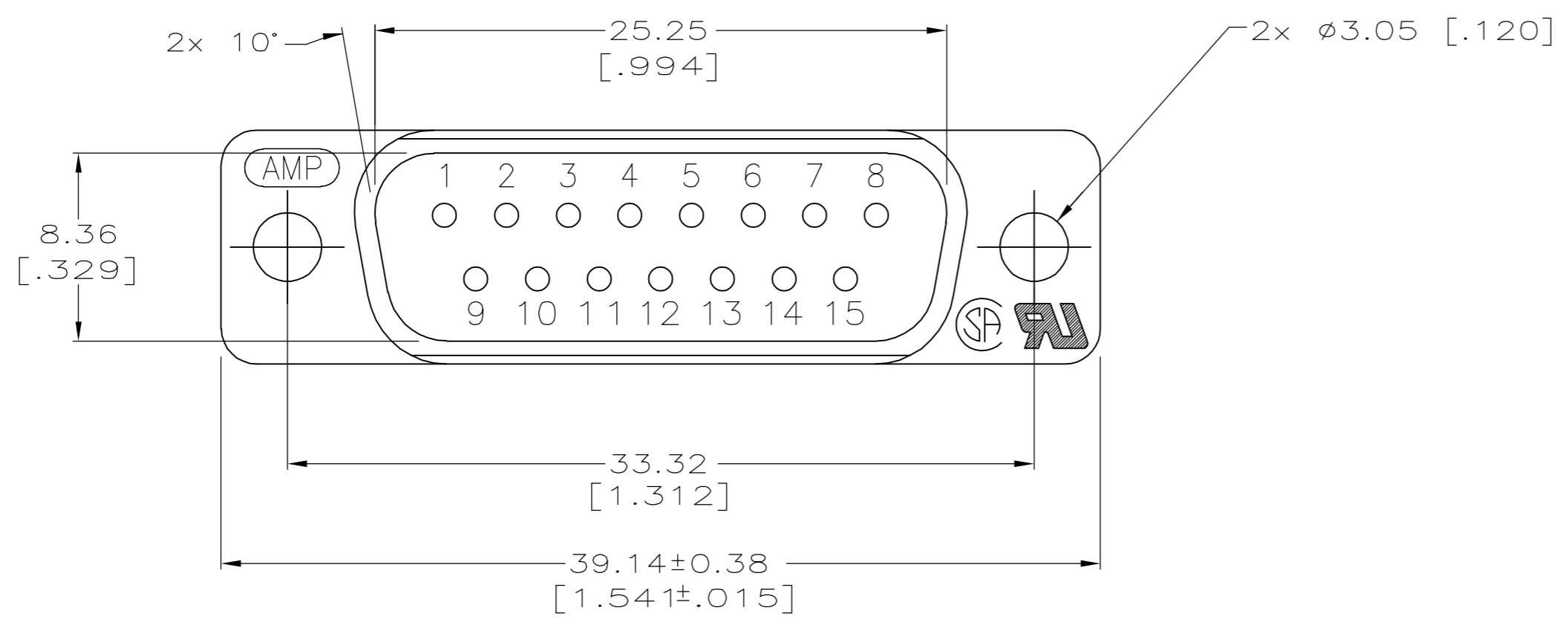
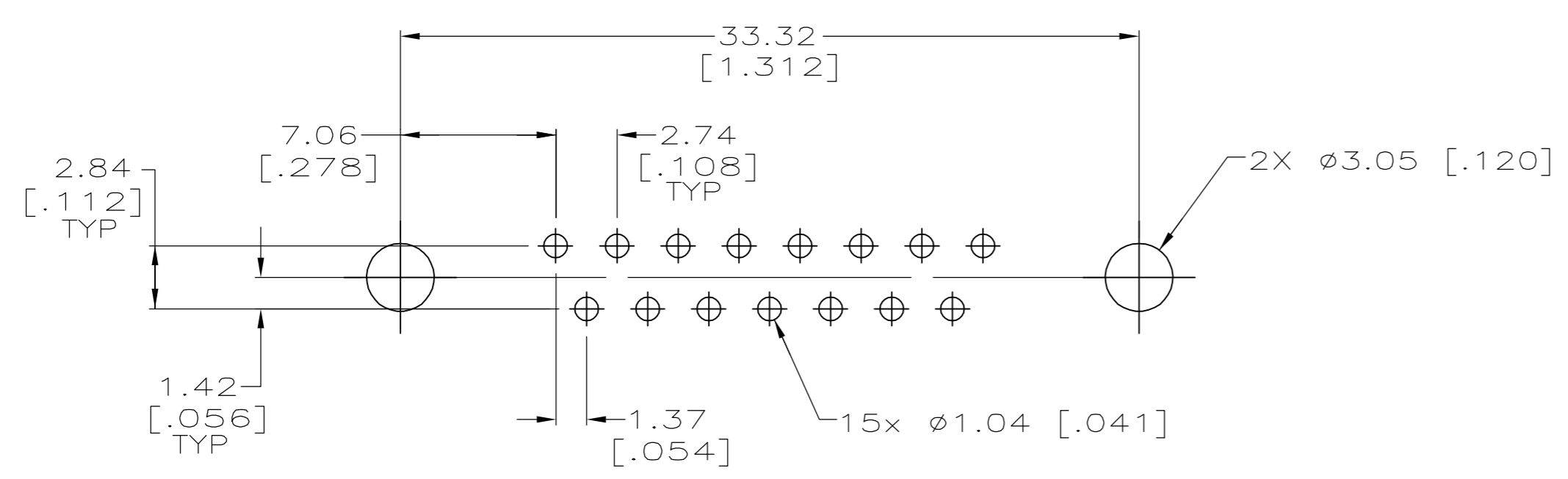
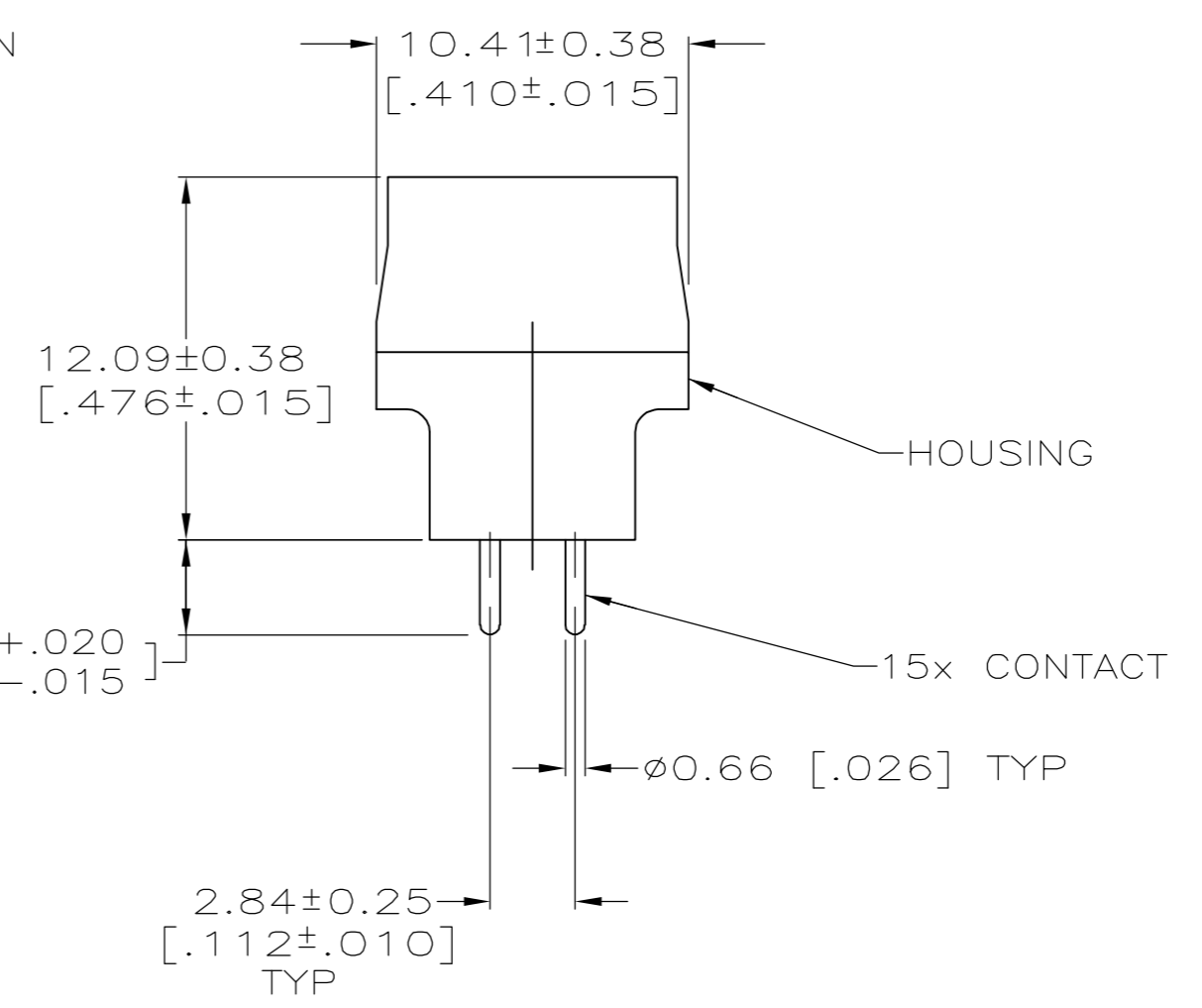
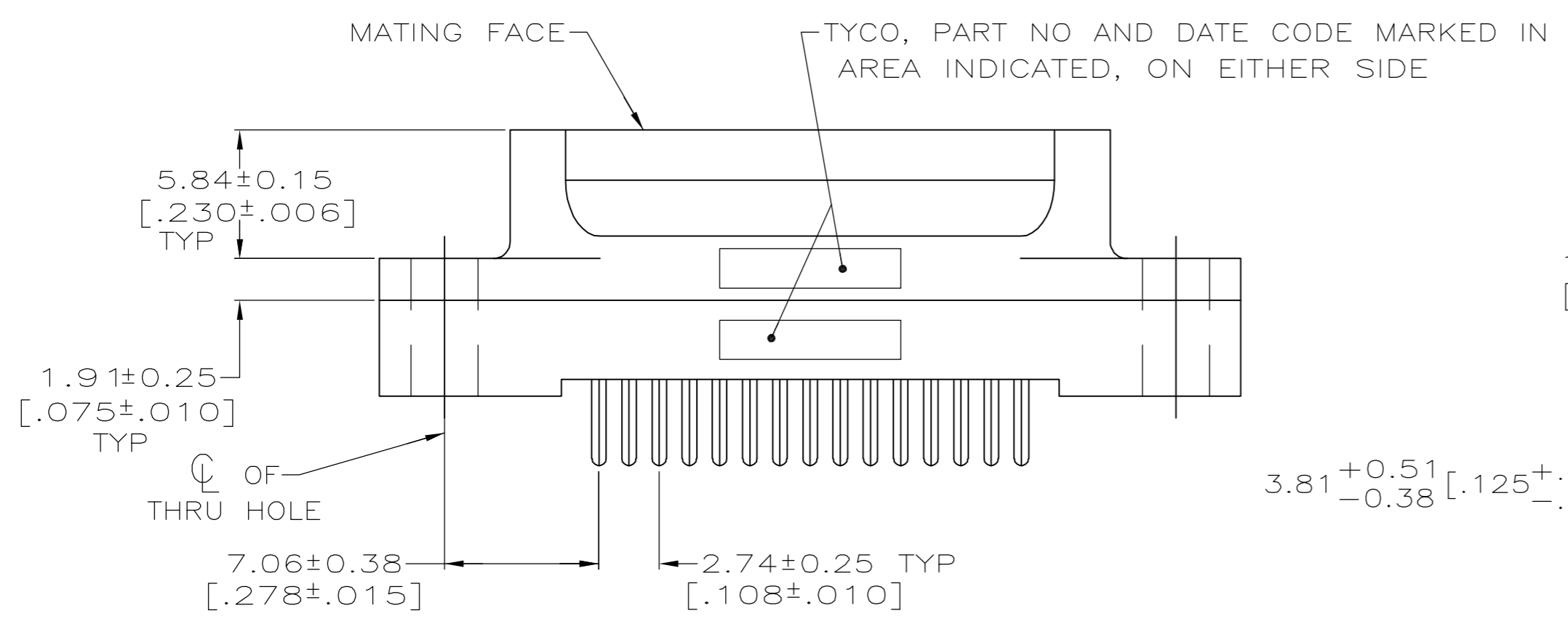


THIS DRAWING IS UNPUBLISHED. RELEASED FOR PUBLICATION  
 © COPYRIGHT BY TYCO ELECTRONICS CORPORATION. ALL RIGHTS RESERVED.

| LOC | DIST | REVISIONS |     |                           |         |     |      |
|-----|------|-----------|-----|---------------------------|---------|-----|------|
| GP  | 00   | P         | LTR | DESCRIPTION               | DATE    | DWN | APVD |
|     |      | A         |     | REVISED PER ECO-06-024580 | 24JAN07 | JDP | EDB  |



- 1 HOUSING: BLACK POLYESTER, UL 94V-0 RATED; CONTACTS: BRASS
- 2 GOLD PLATED FOR LENGTH OF 3.81 [.150] MIN FROM MATING END, 0.76µm [.000030] MIN GOLD IN MATED AREA, 2.54µm [.000100] MIN TIN ON SOLDER END, BOTH OVER 1.27µm [.000050] MIN NICKEL.  
OR  
GOLD FLASH OVER PALLADIUM NICKEL PLATED FOR LENGTH OF 3.81 [.150] MIN FROM MATING END, 0.76µm [.000030] MIN PALLADIUM NICKEL IN MATED AREA, 2.54µm [.000100] MIN TIN ON SOLDER END, BOTH OVER 1.27µm [.000050] MIN NICKEL.



RECOMMENDED PC BOARD MOUNTING DIMENSIONS

|                |           |
|----------------|-----------|
| 2              | 5208007-2 |
| CONTACT FINISH | PART NO   |

|  |        |                         |   |                  |                      |                 |
|--|--------|-------------------------|---|------------------|----------------------|-----------------|
| THIS DRAWING IS A CONTROLLED DOCUMENT.   |        | DWN G.PETERS 12SEP05    | Tyco Electronics Corporation<br>Harrisburg, PA 17105-3608 | NAME             |                      |                 |
| DIMENSIONS: mm [INCHES]  |        | CHK S.BOLASH 12SEP05    |   | PRODUCT SPEC     |                      |                 |
| TOLERANCES UNLESS OTHERWISE SPECIFIED:   |        | APVD M.WALMSLEY 12SEP05 |   | APPLICATION SPEC |                      |                 |
| 0 PLC ± -<br>1 PLC ± -<br>2 PLC ± 0.13 [.005]<br>3 PLC ± -<br>4 PLC ± -<br>ANGLES ± 2°<br>FINISH |        | 108-40025               |   | 108-40025        |                      |                 |
| MATERIAL   | FINISH | WEIGHT -                | SIZE A2   | CAGE CODE 00779  | DRAWING NO C=5208007 | RESTRICTED TO - |
| 1  | 2      | CUSTOMER DRAWING        | SCALE 4:1   | SHEET 1 of 1     | REV A                |                 |

5208007